

B046, Rev. -

1. Finish Goods PKG photo



2. Packing method



25000 × 6 PCS



Label on the Inner Box 2500 × 10 PCS



2500 × 1 PCS Label on the Reel



Label on the Carton

Seal the Carton with the tape

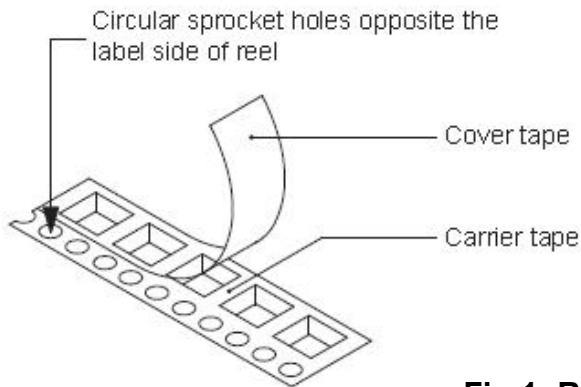


Fig.1- Reel pack for SMD

DL-35 Packing information

B046, Rev. -

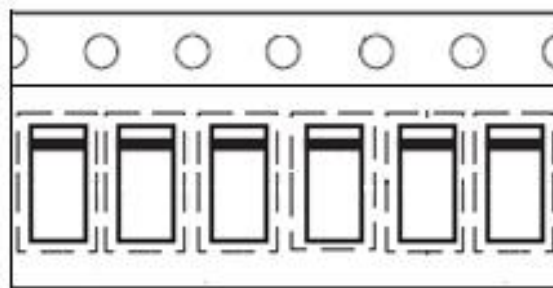
Table 1. Packing information

Package version	Reel dimensions ϕ (mm)	Pcs/reel (pcs)	Per reel weight (Kg)	Reels Inner box	Inner box weight (Kg)	Inner box dimensions L×W×H (mm)	Outer box weight (Kg)
DL-35	$\Phi 178*14$	2500	0.2	10	1.66	185*130*185	10

Package version	Box (pcs)	Boxes per Carton	Carton dimensions L×W×H (mm)
DL-35	25000	6	410*275*340

3. Product orientation

Standard product orientation DL-35



direction of feed →

Fig 2. Product orientation in carrier tape

4. Carrier tape dimensions

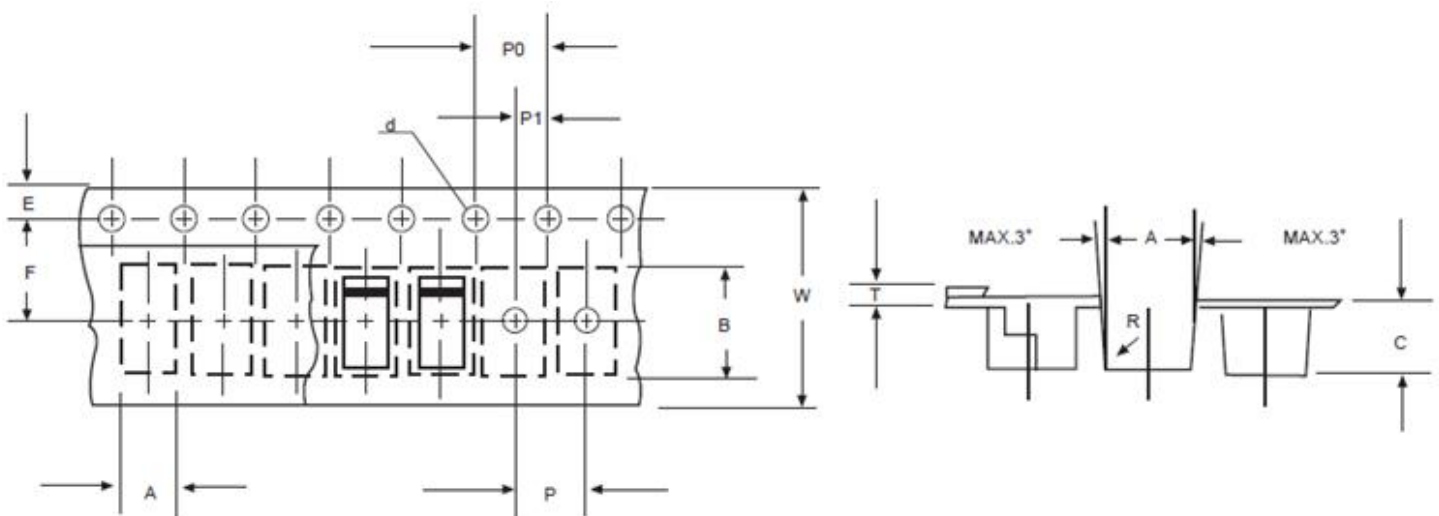


Fig 3. Carrier tape dimensions

5. Reel dimensions

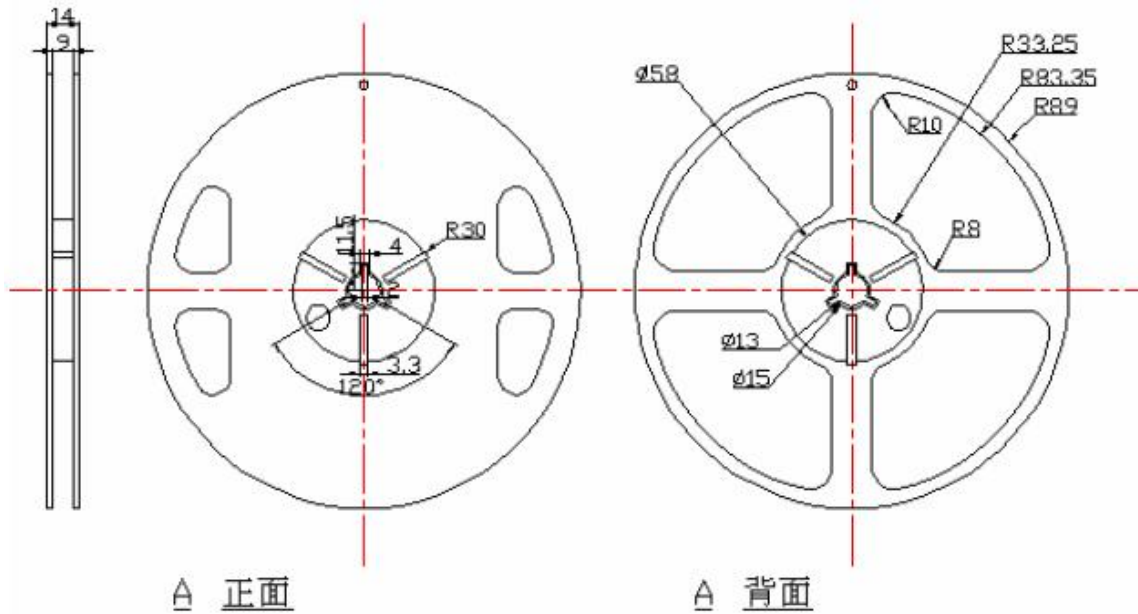


Fig 4. Reel dimensions

Table 2. Carrier tape dimensions

ITEM	SYMBOL	DL-35 mm(inch)
Carrier width	A	1.60±0.1(0.063±0.004)
Carrier length	B	3.70±0.1(0.146±0.004)
Carrier depth	C	1.65±0.1(0.065±0.004)
Sprocket hole	d	1.5±0.1(0.059±0.004)
Sprocket hole position	E	1.75±0.1(0.069±0.004)
Punch hole position	F	5.5±0.05(0.217±0.002)
Punch hole pitch	P	4.0±0.1(0.175±0.004)
Sprocket hole pitch	P0	4.0±0.1(0.157±0.004)
Embossment center	P1	2.0±0.1(0.079±0.004)
Total tape thickness	T	0.22±0.05(0.011±0.002)
Tape width	W	8.0±0.1(0.315±0.004)